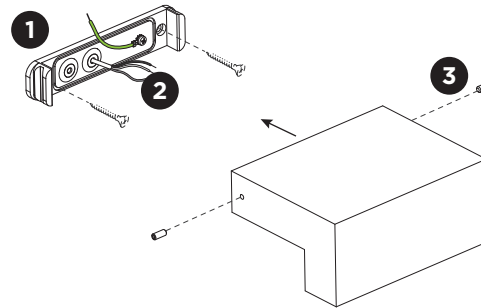


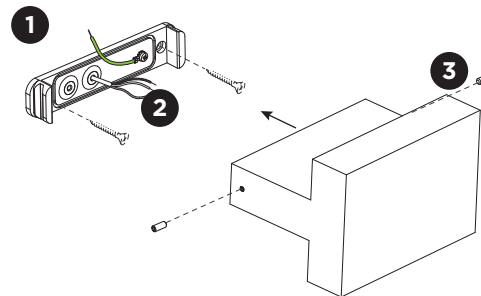
PALOS

INSTALLATION INSTRUCTIONS | FEBRUARY 2022

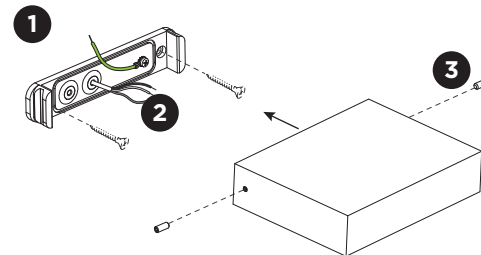
PALOS 1.0



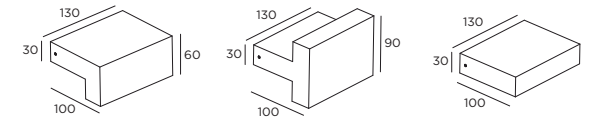
PALOS 2.0



PALOS 3.0



DIMENSIONS



PALOS 1.0

PALOS 2.0

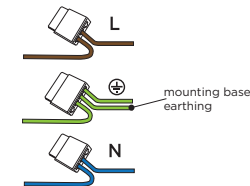
PALOS 3.0

MOUNTING INSTRUCTION

- 1 Remove the mounting base from the luminaire by loosening the socket screws and mount it on the wall with screws. (screws are not included)

2 POWER CONNECTION

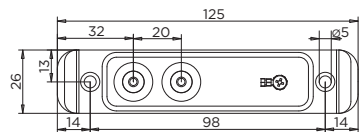
Connect to 220-240V.



- 3 Fix the luminaire on the base with the socket screws.

Mounting base:

PALOS 1.0 / 2.0 / 3.0



Please use a matching grommet based on the used 220-240V cable and the corresponding type in the overview table.

	A	B	C
CABLE			
TYPE	ROUND H05RN-F H07RN8-F H07RN-F	ROUND H05RN-F	ROUND
OUTSIDE Ø	min 6.8mm max 8.9mm	min 5mm max 6.8mm	min 1.5mm max 2.6mm
CONDUCTION SECTION	2or3x 0.75mm ² 2or3x 1.0mm ² 2or3x 1.5mm ²	2or3x 0.75mm ² 2x 1.0mm ²	0.75mm ² 1.5mm ²



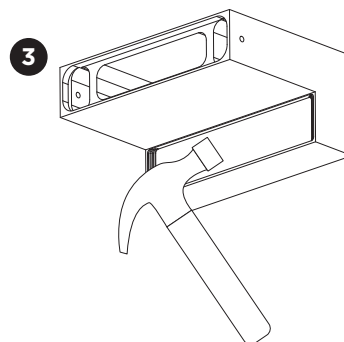
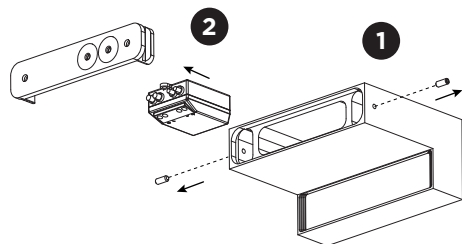
WEVER & DUCRÉ
LIGHTING

WEVER & DUCRÉ BV
Spinnerijstraat 99/21, 8500 Kortrijk, Belgium
weverducre.com

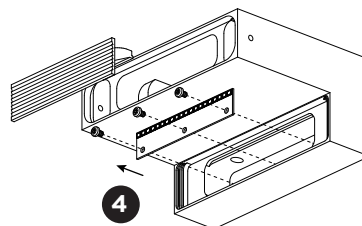
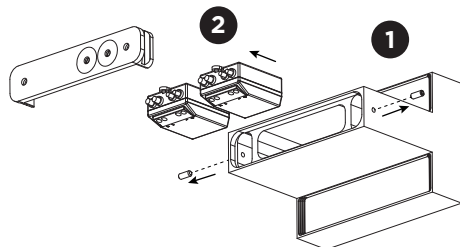
PALOS

INSTALLATION INSTRUCTIONS | FEBRUARY 2022

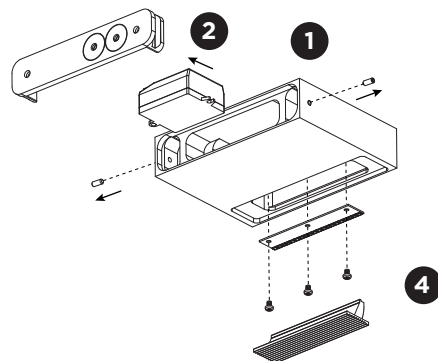
PALOS 1.0



PALOS 2.0



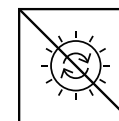
PALOS 3.0



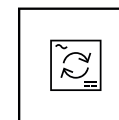
DISMOUNTING INSTRUCTION

Light source & driver

- 1 Loosen the side screws and remove the lamp housing from the mounting base.
- 2 Loosen the cables to remove the driver.
- 3 Break the glass.
- 4 Take out the lens and unscrew the LED board.



The light source is not replaceable.



The driver can be replaced by the end user.



This luminaire contains a light source with the energy class D.