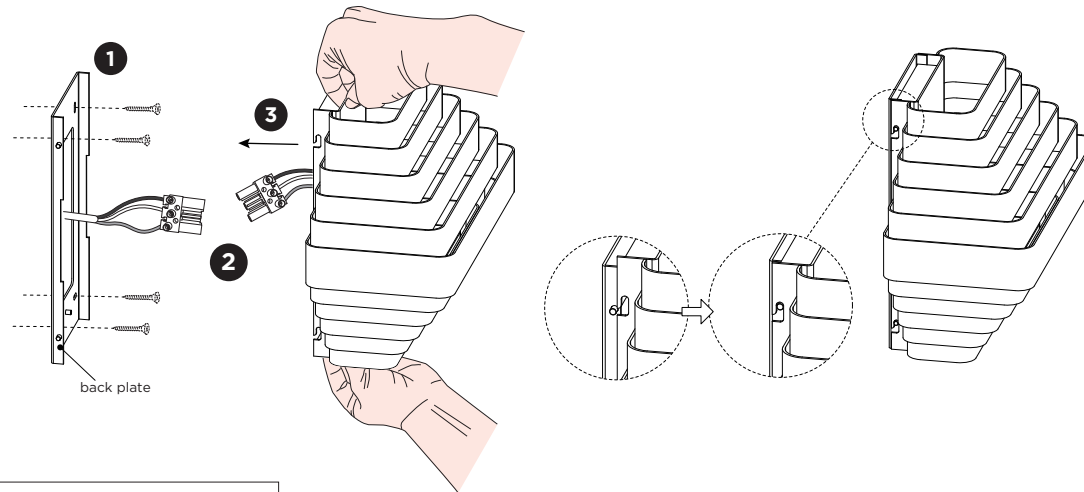
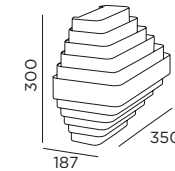


J.J.W. 01

INSTALLATION INSTRUCTIONS | DECEMBER 2020

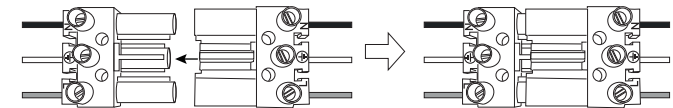


DIMENSIONS

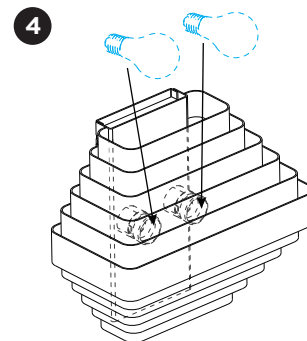
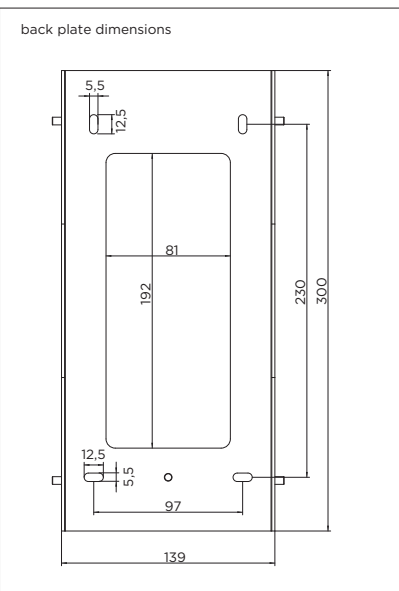


MOUNTING INSTRUCTION

- 1** Remove the back plate and mount it on the wall with screws (screws are not included).
- 2 POWER CONNECTION**
connect to 220-240V



Please do not hold the luminaire by the lamellas when installing the product. For aesthetical reasons please make sure that the lamellas hang parallel after installation.



Installation and replacement of lamps

- 3** Mount the fixture to the back plate by aligning the pins into the slots and sliding the fixture downwards.
- 4** Insert the lamps. lamps need to be tilted to position them into the fixture (lamps are not included).
- 5 EXTRA INFO**
Lamp replacement: all lamps can be replaced by hand, make sure the lamp is cold. For aesthetical reasons: please make sure that the lamellas hang parallel after installation.